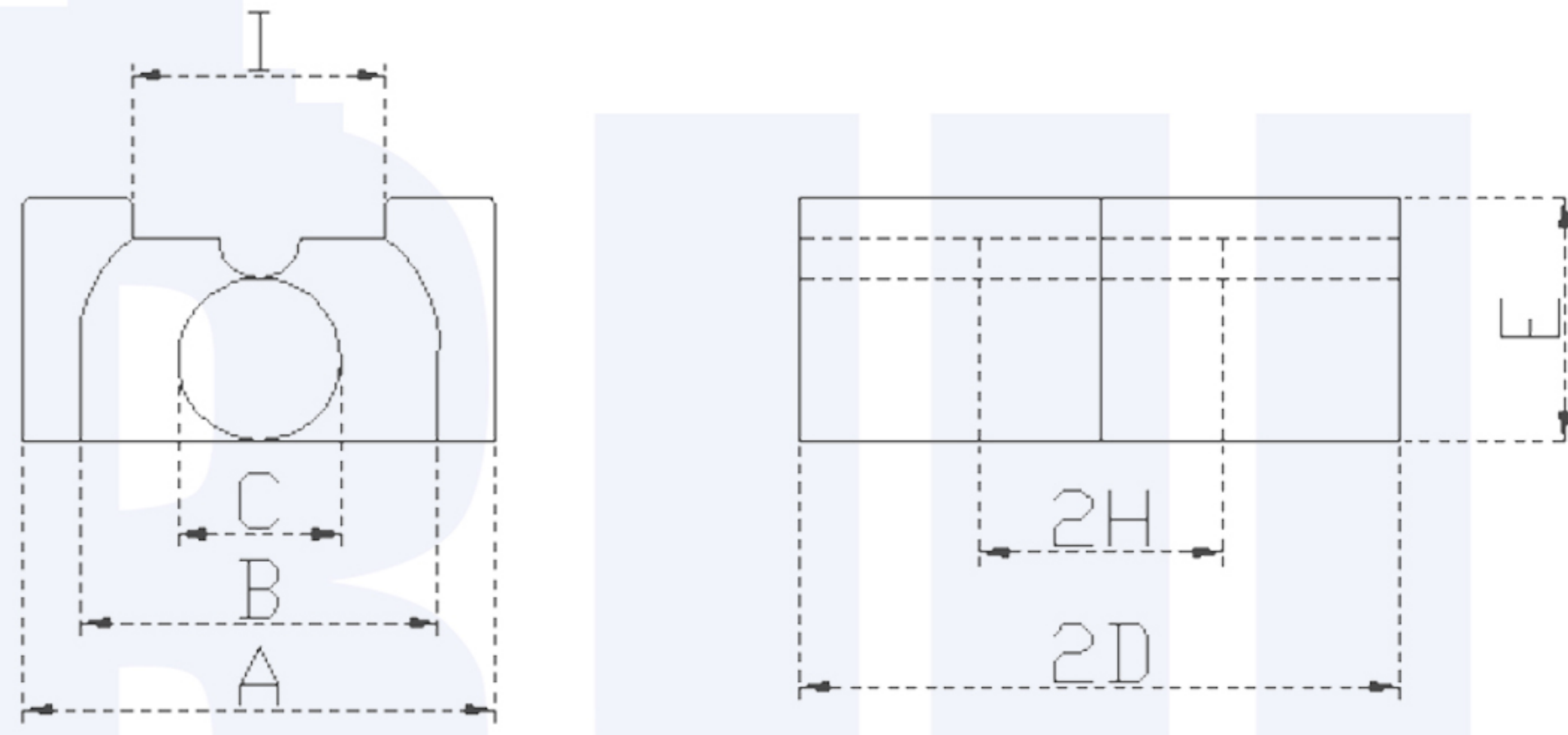


## LP series



MATERIALS:SR-10P, SR-7P, SR-5P, SR-P4

TYPE	Dimension:mm							Weight: g
	A	B	C	2D	E	2H	I	
LP23/8	16.5±0.3	12.5±0.3	5.70±0.1	23.4±0.2	8.70±0.2	17.4±0.2	9.0±0.5	9.6
LP22/13	25.0±0.4	19.0±0.3	8.60±0.2	22.4±0.2	12.9±0.3	12.9±0.3	13.5±0.5	21
LP32/13	25.0±0.4	19.0±0.3	8.60±0.2	31.8±0.2	12.9±0.3	12.9±0.3	13.5±0.5	30

TYPE	Effective parameter				AL (nH/N <sup>2</sup> ) (AL±25%)			
	C <sub>1</sub> (mm <sup>-1</sup> )	A <sub>e</sub> (mm <sup>2</sup> )	L <sub>e</sub> (mm)	V <sub>e</sub> (mm <sup>3</sup> )	SR-P4	SR-5P	SR-7P	SR-10P
LP23/8	1.41	31.3	44.1	1380	1600			
LP22/13	0.721	67.9	49.0	3330	3310			
LP32/13	0.909	70.3	64.0	4500	2630			