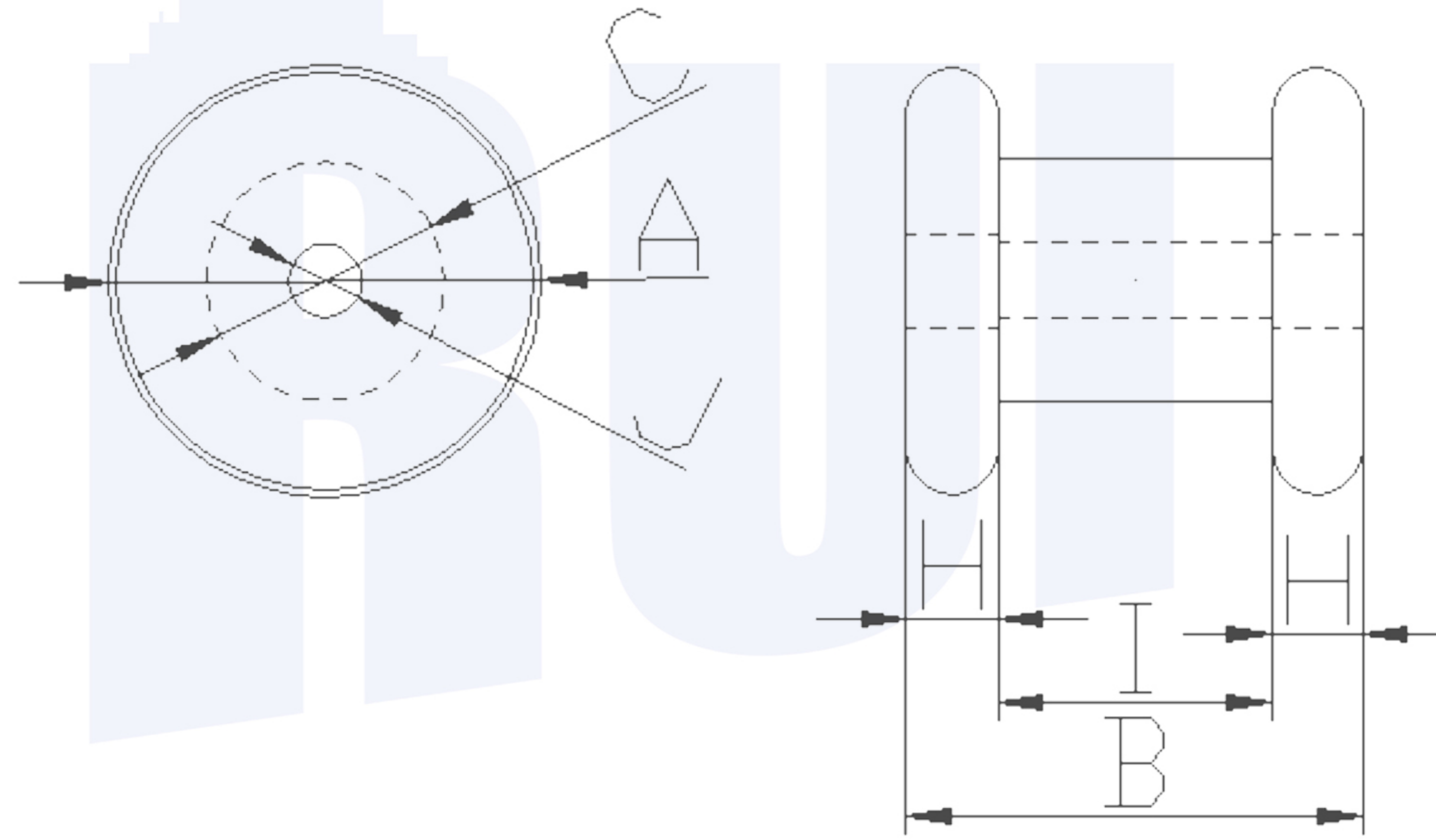


DR series



MATERIALS:SR-10P, SR-7P, SR-5P, SR-P4

TYPE	Dimension:mm						Weight: g
	A	B	C	H	I	J	
DR1415	14±0.8	15±1.0	8±0.2	3.0	9.0±0.6	2.5±0.25	7
DR2214	22±1.0	14.5±1.0	12±0.3	3.5	7.5±0.6	4.5±0.3	15
DR2218	22±1.0	18.5±1.0	12.5±0.3	3.5	11.5±0.6	4.5±0.3	17
DR2820	28±1.0	20±1.5	16.95±0.35	4.0	12±0.6	4.5±0.3	34
DR2825	28±1.0	25±1.5	16.95±0.35	4.0	17±0.6	4.5±0.3	39
DR3525	35±1.0	25±1.5	20.9±0.4	3.5	18±0.6	4.75±0.25	56
DR4025	40±1.0	25±1.5	22.9±0.4	4.0	17±0.6	4.5±0.3	78
DR4030	40±1.0	30±1.5	22.9±0.4	4.0	22±0.6	4.5±0.3	90
DR4530	45±1.0	35±1.5	26.85±0.45	4.5	26±0.6	4.5±0.3	133
DR5635	56±1.5	35±1.5	32.83±0.53	5.0	25±0.6	4.5±0.3	212