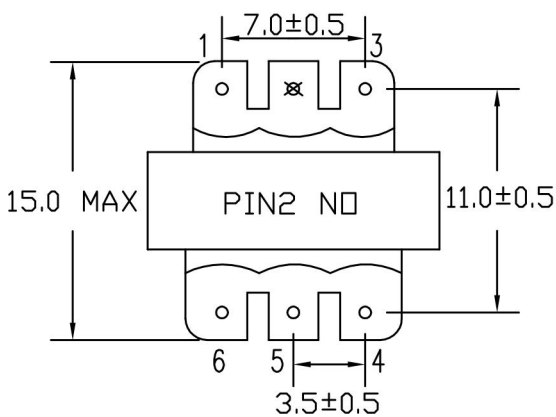
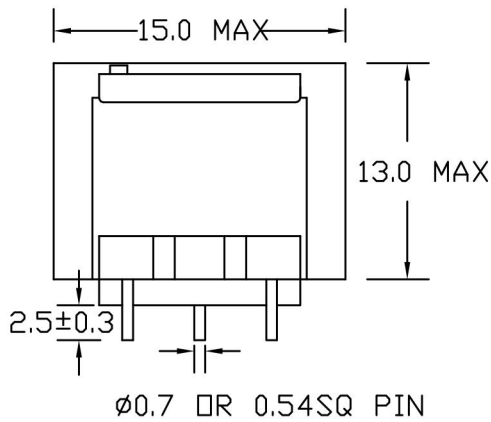
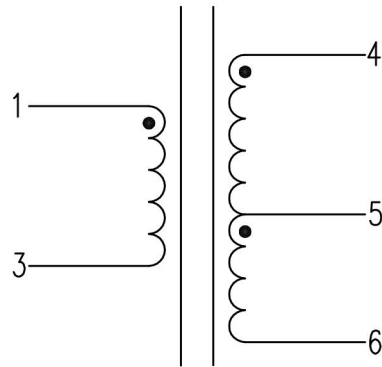
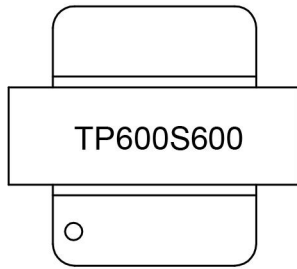


600 : 600



ELECTRICAL CHARACTERISTICS:

- 1.DCR:
  - PIN1-3=30 OHM±15%
  - PIN4-6=38 OHM±15%
- 2.PARALLEL INDUCTANCE: 300HZ,1.0V
  - PIN1-3=1.5H MIN
- 3.TURN RATIO:15KHz ,1.0V
  - PIN1-3: 4-6=1±2%
- 4.IMPEDANCE:
  - (1KHz,1.0V,4-6 W/H 600 OHM)
  - PIN1-3=600 OHM±5%
- 5.INSERTION LOSS:
  - (1KHz,0dB,4-6 W/H 600 OHM)
  - 1dB MAX
- 6.RETURN LOSS:(REF,600 OHM)
  - 300HZ=19dB MIN
  - 1KHz=22dB MIN
  - 4KHz=23dB MIN
- 7.HI-POT:
  - 1200VAC 1mA 60s PIN1-4
- 8.ROHS COMPLIANT