

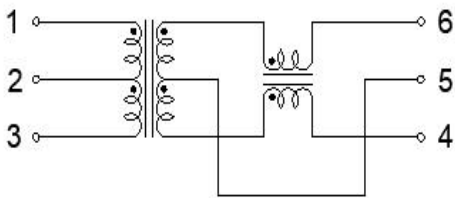
**Feature**

- Comply with RoHS requirements. Comply with AEC-Q200.
- Compliant to J-STD-020: level 1, no moisture sensitive. (Tp: 250°C Max.)
- Operating temperature range: -40°C to +125°C. Storage temperature range: -50°C to +125°C.
- Product scrap disposal based on the local laws and regulations.

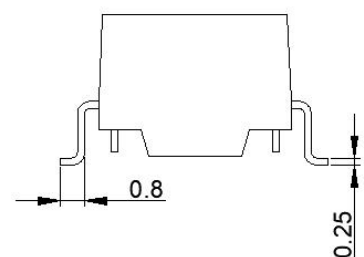
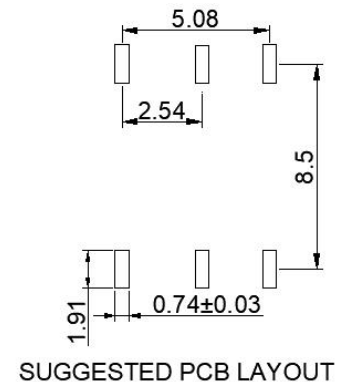
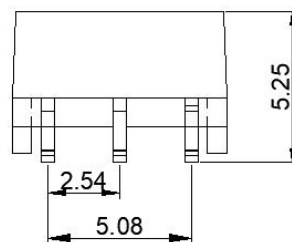
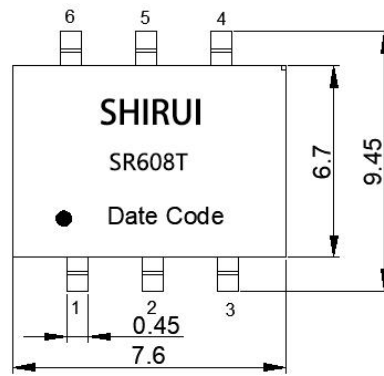
**Electrical Specifications @ 25°C**

OCL:	150 uH ~ 450uH. @100KHz/0.1V (-40°C to+125°C)
Hi-Pot :	4300VDC 1mA 60Sec
Turns Ratio:	1:1±2%
LK:	0.5uH Max @100KHz/0.1V
DCR:	0.45 ohm Max. @Transformer side
	0.85 ohm Max. @CM choke side
Insertion Loss:	-0.25dB Max 4MHz
Return Loss:	-22dB Min @4MHz (Z out= 100Ω)
CMRR:	-35dB Min @1-100MHz
	-28dB Min @100-200MHz
Design Construction:	Functional insulation ; Working voltage 1000VDC;

**Schematic**



**Mechanical**



Unless otherwise specified, all tolerances are ±0.25mm