

10BASE-T COUPLING TRANSFORMER

Features:

- Meet IEEE 802.3 requirements
- Meet FCC class B approval.
- SMT pick & place available.

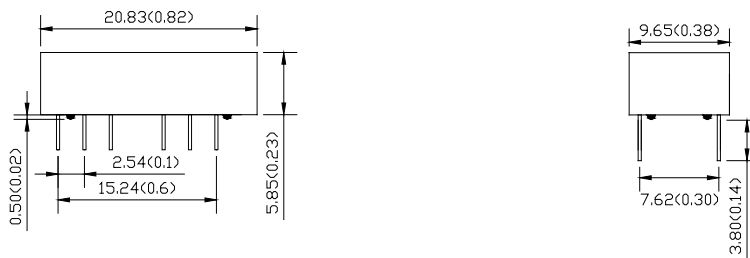
Specifications: at 25 degree C.

Part NO	Primary Inductance (uH) min.	Leakage Inductance (uH) max	Primary Capacitance (pF) max	DCR (ohm) max	Rise Time (ns) max	Hi-Pot Vrms	Turn Ratio	Package
SR-HST-65001	140	0.20	12	0.30	5	1,500	1:1/1:1	a
SR-HST-65002	140	0.20	12	0.30	5	1,500	1:1/1:1	b
SR-HST-65003	140	0.20	12	0.30	5	1,500	1:1/1:1	a
SR-HST-65004	140	0.20	12	0.30	5	1,500	1:1/1:1	b
SR-HST-65005	140	0.20	12	0.30	5	1,500	2:1/1:1	a
SR-HST-65006	140	0.20	12	0.30	5	1,500	2:1/1:1	b
SR-HST-65007	75	0.20	10	0.20	5	1,500	1:1/1:1	b
SR-HST-65008	75	0.20	10	0.20	5	1,500	1:1/1:1	b
SR-HST-65009	75	0.20	10	0.20	5	1,500	1:1/1:1	b
SR-HST-65010	50/200	0.20	12	0.35	5	1,500	1:2/1:1	b
SR-HST-65011	50/200	0.20	12	0.35	5	1,500	1:2/1:1	a
SR-HST-65012	140	0.20	12	0.30	5	1,500	1:1/1:1.414	b
SR-HST-65013	140	0.20	12	0.30	5	1,500	1:1/1:1.414	b
SR-HST-65014	140	0.30	12	0.60	5	1,500	1CT:2CT/1CT:1CT	b
SR-HST-65015	200	0.30	12	1.0	5	1,500	1CT:2CT/1CT:1CT	b
SR-HST-65016	112	0.3	8	0.8	5	1,500	1CT:2CT/1CT:1CT	b
SR-HST-65017	140	0.2	12	0.6	5	2,000	1CT:2CT/1CT:1CT	b
SR-HST-65018	200	0.5	15	0.4	5	1,500	1CT:2.5CT/1CT:1CT(±5%)	b
SR-HST-65019	200	0.6	12	0.5	5	1,500	1CT:2CT/1CT:1CT(±5%)	b
SR-HST-65020	140	0.6	12	0.2	5	1,500	1CT:2CT/1CT:1CT(±5%)	b
SR-HST-65021	200	0.50	12	0.6	5	1,500	1CT:1.414CT/1CT:1CT(±5%)	b
SR-HST-65022	140	0.20	12	0.30	5	1,500	1CT:1CT/1CT:1CT	b
SR-HST-65023	140	0.20	12	0.30	5	1,500	1CT:1CT/1CT:1CT	b
SR-HST-65024	200	0.3	18	0.30	5	1,500	1CT:1CT/1CT:2CT	b
SR-HST-65025	100	0.3	12	0.6	5	1,500	1CT:1CT/1CT:2CT	b

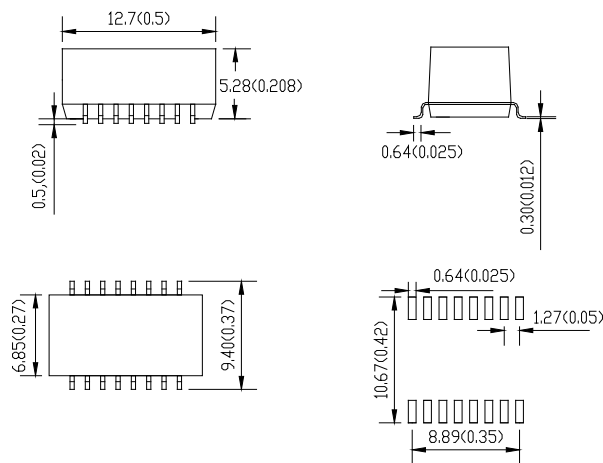
10BASE-T COUPLING TRANSFORMER

Dimension:mm(inch)+/-0.25(0.01)

a

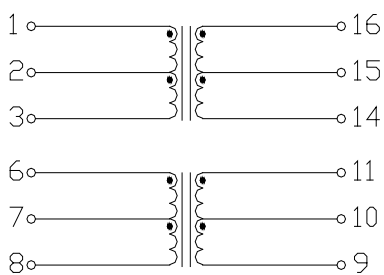


b



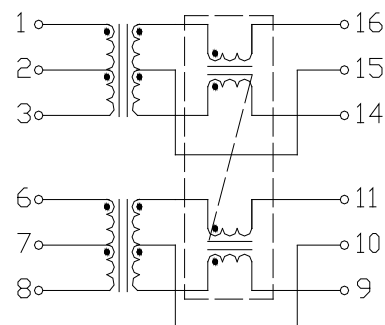
Schematic:

A



1 : 1.414

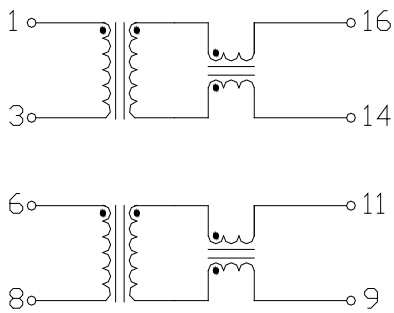
B



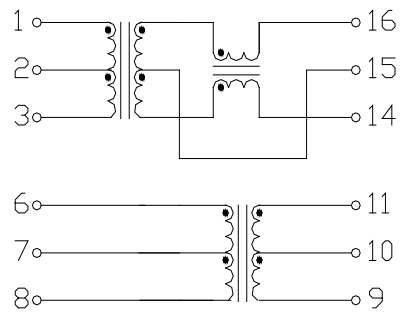
10BASE-T COUPLING TRANSFORMER

Schematic:

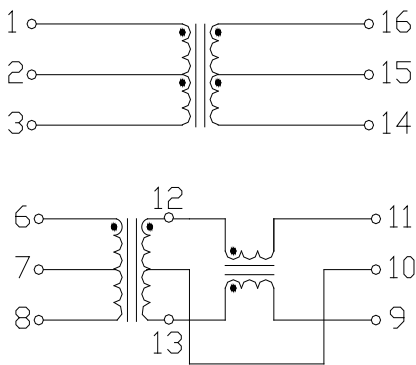
C



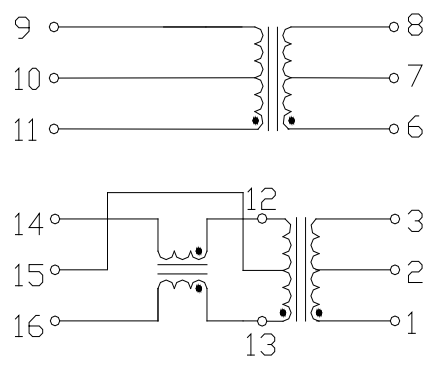
D



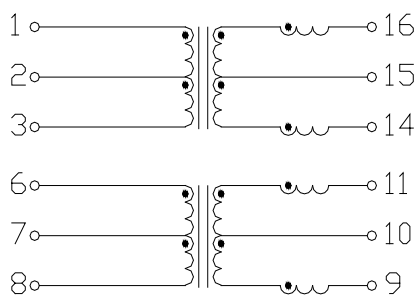
E



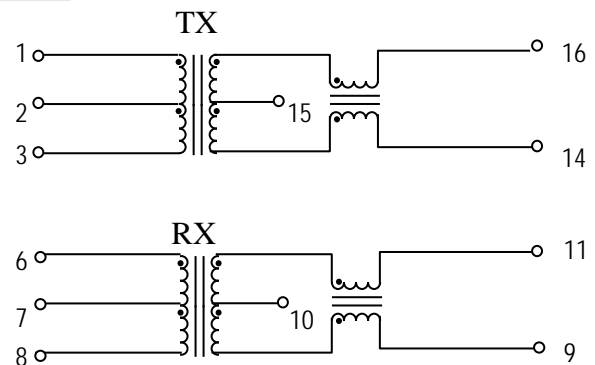
F



G



H



10BASE-T COUPLING TRANSFORMER

Schematic:

I

