



FEATURES

- ◆ Low cost.
- ◆ Wide range of inductance.
- ◆ Small mounting space required.
- ◆ The other types with low DCR, large current, best for the power supply line.

APPLICATIONS

- Power supplies, DC-DC converters, TVs, VTRs, computer, computer peripherals, home electric appliance, ect.

PRODUCT IDENTIFICATION

SRRAL 0510 100 K T 00
a b c d e f

a: Series name

b: Product dimensions

c: Inductance Value

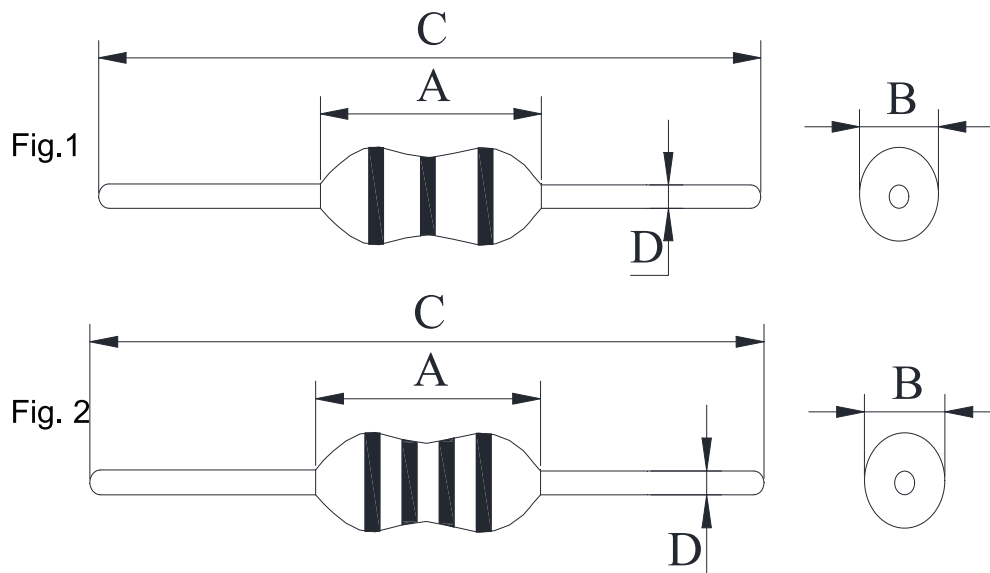
(1R0:1.0uH; 100: 10uH; 101:100uH)

d: Inductance Tolerance (J:5%; K:10% ; M:20%)

e: Package(T:Tape/Reel、 B: Bulk)

f: Numbering (standard)

SHAPES AND DIMENSIONS



Series	Dimensions(mm)				Fig.
	A Ref.	B Max.	C Ref.	D Ref.	
SRAL.0204	4.0	2.8	62.0	0.50	1
SRAL.0307	8.0	3.0	62.0	0.55	2
SRAL.0410	11.0	4.0	62.0	0.65	2
SRAL.0510	12.0	5.0	62.0	0.65	2

Part Number	L (μ H)	Test Freq. (MHz)	Q (Min.)	DCR Max. (Ω)	Rated Current Max. (mA)	SRF Min.(MHz)
SRRAL.0204.R10MT00	0.10	25.2	35	0.180	700	300
SRRAL.0204.R15MT00	0.15	25.2	35	0.220	620	300
SRRAL.0204.R18MT00	0.18	25.2	35	0.240	600	300
SRRAL.0204.R22MT00	0.22	25.2	35	0.400	400	150
SRRAL.0204.R33MT00	0.33	25.2	35	0.480	370	150
SRRAL.0204.R39MT00	0.39	25.2	35	0.510	350	150
SRRAL.0204.R47MT00	0.47	25.2	35	0.560	330	150
SRRAL.0204.R68MT00	0.68	25.2	35	0.670	310	150
SRRAL.0204.R82MT00	0.82	25.2	35	0.740	290	150
SRRAL.0204.1R0KT00	1.0	25.2	35	0.800	270	150
SRRAL.0204.1R2KT00	1.2	7.96	40	0.900	260	110
SRRAL.0204.1R5KT00	1.5	7.96	40	1.000	250	70
SRRAL.0204.1R8KT00	1.8	7.96	40	1.100	240	60
SRRAL.0204.2R2KT00	2.2	7.96	40	1.200	230	45
SRRAL.0204.2R7KT00	2.7	7.96	40	1.300	220	40
SRRAL.0204.3R3KT00	3.3	7.96	40	1.400	210	38
SRRAL.0204.4R7KT00	4.7	7.96	40	1.700	190	32
SRRAL.0204.5R6KT00	5.6	7.96	40	1.900	180	30
SRRAL.0204.6R8KT00	6.8	7.96	40	2.000	175	28
SRRAL.0204.8R2KT00	8.2	7.96	40	2.200	165	26
SRRAL.0204.100KT00	10	7.96	40	2.500	160	24
SRRAL.0204.120KT00	12	2.52	40	2.500	150	22
SRRAL.0204.150KT00	15	2.52	40	2.800	145	20
SRRAL.0204.180KT00	18	2.52	40	3.100	140	18
SRRAL.0204.220KT00	22	2.52	40	3.400	100	17
SRRAL.0204.270KT00	27	2.52	40	4.300	80	16
SRRAL.0204.330KT00	33	2.52	40	4.700	75	14
SRRAL.0204.470KT00	47	2.52	40	5.800	70	12
SRRAL.0204.560KT00	56	2.52	40	6.400	68	11
SRRAL.0204.680KT00	68	2.52	40	7.200	64	10
SRRAL.0204.820KT00	82	2.52	40	11.00	46	9.5
SRRAL.0204.101KT00	100	2.52	40	12.00	44	9.0
SRRAL.0204.121KT00	120	0.796	40	13.00	42	8.0
SRRAL.0204.151KT00	150	0.796	40	16.00	39	6.0
SRRAL.0204.181KT00	180	0.796	40	18.00	37	5.0
SRRAL.0204.221KT00	220	0.796	40	20.00	35	5.0
SRRAL.0204.271KT00	270	0.796	40	25.00	25	4.6
SRRAL.0204.331KT00	330	0.796	40	30.00	25	4.2

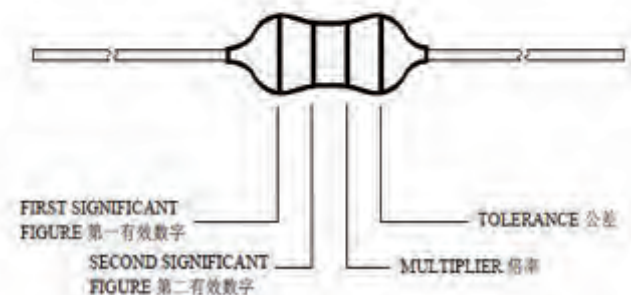
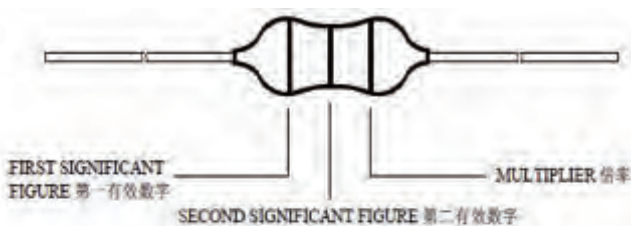
Part Number	L (uH)	Test Freq. (MHz)	Q (Min.)	DCR Max. (Ω)	Rated Current Max. (mA)	SRF Min.(MHz)
SRRAL.0307.R10MT00	0.10	25.2	40	0.060	1400	480
SRRAL.0307.R12MT00	0.12	25.2	40	0.060	1350	450
SRRAL.0307.R15MT00	0.15	25.2	40	0.070	1270	420
SRRAL.0307.R18MT00	0.18	25.2	40	0.070	1200	400
SRRAL.0307.R22MT00	0.22	25.2	40	0.080	1150	380
SRRAL.0307.R33MT00	0.33	25.2	40	0.095	1110	350
SRRAL.0307.R39MT00	0.39	25.2	40	0.100	1000	320
SRRAL.0307.R47MT00	0.47	25.2	40	0.110	1000	300
SRRAL.0307.R68MT00	0.68	25.2	40	0.130	900	250
SRRAL.0307.R82MT00	0.82	25.2	40	0.140	900	200
SRRAL.0307.1R0KT00	1.	25.2	40	0.150	815	180
SRRAL.0307.1R2KT00	1.2	7.96	40	0.180	740	165
SRRAL.0307.1R5KT00	1.5	7.96	40	0.200	700	150
SRRAL.0307.1R8KT00	1.8	7.96	50	0.230	655	125
SRRAL.0307.2R2KT00	2.2	7.96	50	0.250	630	110
SRRAL.0307.3R3KT00	3.3	7.96	50	0.300	575	70
SRRAL.0307.3R9KT00	3.9	7.96	50	0.320	555	65
SRRAL.0307.4R7KT00	4.7	7.96	50	0.350	530	50
SRRAL.0307.6R8KT00	6.8	7.96	50	0.450	470	30
SRRAL.0307.8R2KT00	8.2	7.96	50	0.560	425	28
SRRAL.0307.100KT00	10	7.96	50	0.750	370	22
SRRAL.0307.120KT00	12	2.52	50	0.800	350	20
SRRAL.0307.150KT00	15	2.52	50	0.930	335	16
SRRAL.0307.180KT00	18	2.52	50	1.000	315	15
SRRAL.0307.220KT00	22	2.52	50	1.200	285	13
SRRAL.0307.270KT00	27	2.52	50	1.800	270	11
SRRAL.0307.330KT00	33	2.52	50	2.100	255	10
SRRAL.0307.390KT00	39	2.52	50	2.300	240	9.5
SRRAL.0307.470KT00	47	2.52	50	2.600	205	8.5
SRRAL.0307.560KT00	56	2.52	50	2.900	195	7.5
SRRAL.0307.680KT00	68	2.52	50	3.300	185	6.5
SRRAL.0307.820KT00	82	2.52	50	3.800	175	6.0
SRRAL.0307.101KT00	100	2.52	50	4.200	165	5.5
SRRAL.0307.121KT00	120	0.796	60	4.700	160	5.4
SRRAL.0307.221KT00	220	0.796	60	6.500	130	4.0
SRRAL.0307.471KT00	470	0.796	60	12.50	90	2.4
SRRAL.0307.681KT00	680	0.796	60	18.00	75	2.0
SRRAL.0307.102KT00	1000	0.796	50	30.00	60	1.1

Part Number	L (uH)	Test Freq. (MHz)	Q (Min.)	DCR Max. (Ω)	Rated Current Max. (mA)	SRF Min.(MHz)
SRRAL.0410.R10MT00	0.10	25.2	25	0.060	1700	480
SRRAL.0410.R15MT00	0.15	25.2	25	0.070	1560	420
SRRAL.0410.R18MT00	0.18	25.2	25	0.070	1480	400
SRRAL.0410.R22MT00	0.22	25.2	25	0.080	1400	380
SRRAL.0410.R33MT00	0.33	25.2	25	0.100	1280	300
SRRAL.0410.R39MT00	0.39	25.2	25	0.120	1200	280
SRRAL.0410.R47MT00	0.47	25.2	25	0.130	1150	250
SRRAL.0410.R68MT00	0.68	25.2	25	0.150	1030	210
SRRAL.0410.R82MT00	0.82	25.2	45	0.160	980	172
SRRAL.0410.1R0KT00	1.0	25.2	45	0.170	920	157
SRRAL.0410.1R5KT00	1.5	7.96	50	0.200	830	131
SRRAL.0410.1R8KT00	1.8	7.96	55	0.220	790	121
SRRAL.0410.2R2KT00	2.2	7.96	55	0.240	750	110
SRRAL.0410.3R3KT00	3.3	7.96	65	0.300	670	94
SRRAL.0410.3R9KT00	3.9	7.96	65	0.350	640	86
SRRAL.0410.4R7KT00	4.7	7.96	70	0.400	620	80
SRRAL.0410.6R8KT00	6.8	7.96	75	0.500	550	68
SRRAL.0410.8R2KT00	8.2	7.96	80	0.600	530	53
SRRAL.0410.100KT00	10	7.96	80	0.650	500	45
SRRAL.0410.150KT00	15	2.52	70	0.750	460	20
SRRAL.0410.180KT00	18	2.52	65	0.800	430	14
SRRAL.0410.220KT00	22	2.52	50	0.900	410	9.9
SRRAL.0410.270KT00	27	2.52	55	1.000	390	7.6
SRRAL.0410.330KT00	33	2.52	55	1.100	370	6.3
SRRAL.0410.390KT00	39	2.52	50	1.200	350	6.3
SRRAL.0410.470KT00	47	2.52	45	1.300	340	6.3
SRRAL.0410.680KT00	68	2.52	40	1.800	305	5.7
SRRAL.0410.820KT00	82	2.52	35	2.000	290	5.3
SRRAL.0410.101KT00	100	2.52	30	2.500	275	4.8
SRRAL.0410.181KT00	180	0.796	70	4.600	165	3.3
SRRAL.0410.221KT00	220	0.796	70	5.100	155	3.0
SRRAL.0410.331KT00	330	0.796	65	6.500	137	2.6
SRRAL.0410.391KT00	390	0.796	65	7.500	133	2.4
SRRAL.0410.471KT00	470	0.796	60	8.500	126	2.2
SRRAL.0410.561KT00	560	0.796	60	9.500	120	2.1
SRRAL.0410.681KT00	680	0.796	55	12.00	113	1.9
SRRAL.0410.821KT00	820	0.796	55	14.00	105	1.8
SRRAL.0410.102KT00	1000	0.796	50	20.00	85	1.4

Part Number	L (uH)	Test Freq. (KHz/V)		Q (Min.)	DCR Max. (Ω)	Rated Current Max. (mA)	SRF Min.(MHz)
		L	Q				
SRRAL.0510.471KT00	470	1.0	796	60	7.700	126	1.90
SRRAL.0510.561KT00	560	1.0	796	50	8.500	120	1.80
SRRAL.0510.681KT00	680	1.0	796	55	9.000	113	1.50
SRRAL.0510.821KT00	820	1.0	796	45	10.50	105	1.20
SRRAL.0510.102KT00	1000	1.0	252	40	14.00	100	1.00
SRRAL.0510.122KT00	1200	1.0	252	40	16.90	95	0.95
SRRAL.0510.152KT00	1500	1.0	252	40	21.6	90	0.90
SRRAL.0510.182KT00	1800	1.0	252	40	24.00	85	0.85
SRRAL.0510.222KT00	2200	1.0	252	40	34.70	80	0.80
SRRAL.0510.272KT00	2700	1.0	252	40	40.00	75	0.75
SRRAL.0510.332KT00	3300	1.0	252	40	59.50	62	0.70
SRRAL.0510.392KT00	3900	1.0	252	40	66.00	59	0.65
SRRAL.0510.472KT00	4700	1.0	252	40	74.00	55	0.60
SRRAL.0510.562KT00	5600	1.0	252	30	80.00	40	0.50
SRRAL.0510.682KT00	6800	1.0	252	30	85.00	35	0.45
SRRAL.0510.822KT00	8200	1.0	252	30	95.00	30	0.40
SRRAL.0510.103KT00	10000	1.0	252	20	105.0	25	0.35

COLOR CODING

The nominal inductance is marked. Color code listed in table below.



Color	Nominal Inductance(uH)			
	1st Figure	2nd Figure	Multiplier	Tolerance
Black	0		×1	±20%
Brown	1		×10	—
Red	2		×100	—
Orange	3		×1000	—
Yellow	4		—	—
Green	5		—	—
Blue	6		—	—
Violet	7		—	—
Gray	8		—	—
White	9		—	—
Gold	—		×0.1	±5%
Silver	—		×0.01	±10%