



## PRODUCT IDENTIFICATION

SRCD 4532 D Y F 101 M T 00  
 a b c d e f g h i

- a: Series name
- b: Product dimensions (a x c)
- c: Winding (D:Single Line、C: Double Line)
- d: Sealing way (L: Cold seal、Y: Heat seal)
- e: Lettering direction ▶
- f: Inductance Value  
(1R0:1.0uH、100: 10uH、101:100uH)
- g: Inductance Tolerance (K:10%、M:20%、N:30%)
- h: Package(T:Tape/Reel、B: Bulk)
- i: Numbering (standard)

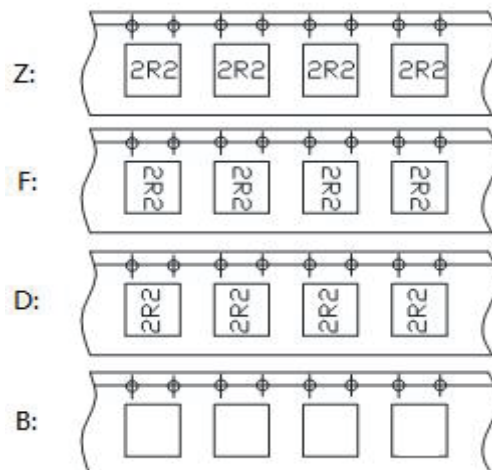
## FEATURES

- ◆ High heat resistance and excellent solderability.
- ◆ Excellent terminal strength construction.
- ◆ Surface mount inductor with high current rating.

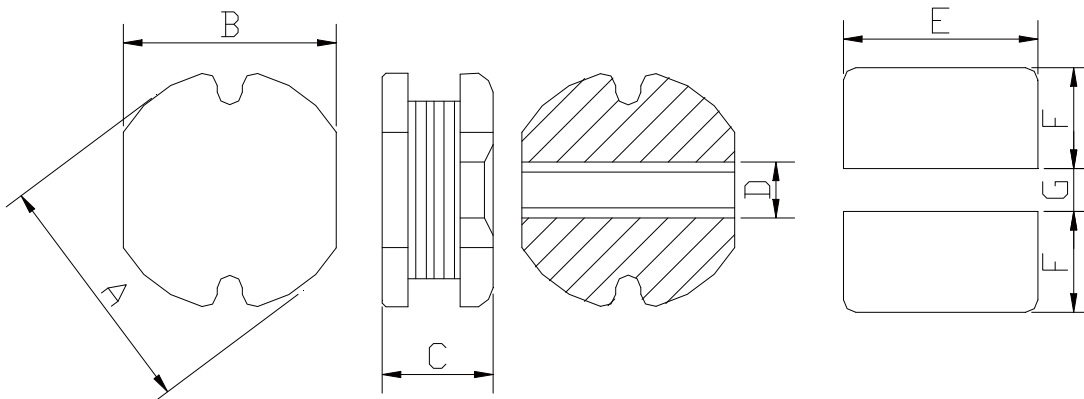
## APPLICATIONS

- ◆ Ideally used in Digital camera, notebook, PC, LCD TV set, DC-DC Converters, etc.

### ▶ Lettering direction



## SHAPES AND DIMENSIONS



Part Number	L ( $\mu$ H)	Test Freq. (KHz/V)	DCR Max. ( $\Omega$ )	IDC Max. (A)
SRCD.3521.DYF1R0MT00	1.0	100/0.25	0.048	2.00
SRCD.3521.DYF1R5MT00	1.5	100/0.25	0.052	1.85
SRCD.3521.DYF2R2MT00	2.2	100/0.25	0.073	1.40
SRCD.3521.DYF3R3MT00	3.3	100/0.25	0.109	1.25
SRCD.3521.DYF3R9MT00	3.9	100/0.25	0.148	1.20
SRCD.3521.DYF4R7MT00	4.7	100/0.25	0.173	1.10
SRCD.3521.DYF6R8MT00	6.8	100/0.25	0.219	0.85
SRCD.3521.DYF8R2MT00	8.2	100/0.25	0.247	0.80
SRCD.3521.DYF100KT00	10	100/0.25	0.286	0.73
SRCD.3521.DYF120KT00	12	100/0.25	0.325	0.62
SRCD.3521.DYF150KT00	15	100/0.25	0.468	0.60
SRCD.3521.DYF180KT00	18	100/0.25	0.546	0.53
SRCD.3521.DYF220KT00	22	100/0.25	0.611	0.50
SRCD.3521.DYF330KT00	33	100/0.25	0.962	0.40
SRCD.3521.DYF390KT00	39	100/0.25	1.05	0.36
SRCD.3521.DYF470KT00	47	100/0.25	1.38	0.34
SRCD.3521.DYF560KT00	56	100/0.25	1.53	0.32
SRCD.3521.DYF680KT00	68	100/0.25	1.73	0.30
SRCD.3521.DYF820KT00	82	100/0.25	2.39	0.28
SRCD.3521.DYF101KT00	100	100/0.25	3.62	0.25
SRCD.3521.DYF121KT00	120	100/0.25	3.72	0.20
SRCD.3521.DYF151KT00	150	100/0.25	4.29	0.19
SRCD.3521.DYF181KT00	180	100/0.25	4.81	0.17
SRCD.3521.DYF221KT00	220	100/0.25	6.63	0.16
SRCD.3521.DYF271KT00	270	100/0.25	7.80	0.13
SRCD.3521.DYF331KT00	330	100/0.25	9.49	0.13
SRCD.3521.DYF471KT00	470	100/0.25	12.05	0.09
SRCD.3521.DYF561KT00	560	100/0.25	13.26	0.08
SRCD.3521.DYF681KT00	680	100/0.25	18.20	0.07

## Note:

Tolerance: N: $\pm$ 30% , M: $\pm$ 20% , K: $\pm$ 10%

IDC:DC current at which the inductance drops approximate 10% from its value without current;