



PRODUCT IDENTIFICATION

SRCD 4532 D Y F 101 M T 00
 a b c d e f g h i

- a: Series name
- b: Product dimensions (a x c)
- c: Winding (D:Single Line、C: Double Line)
- d: Sealing way (L: Cold seal、Y: Heat seal)
- e: Lettering direction ▶
- f: Inductance Value
(1R0:1.0uH、100: 10uH、101:100uH)
- g: Inductance Tolerance (K:10%、M:20%、N:30%)
- h: Package(T:Tape/Reel、B: Bulk)
- i: Numbering (standard)

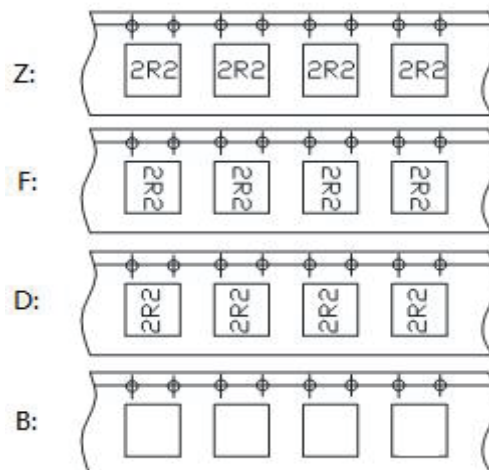
FEATURES

- ◆ High heat resistance and excellent solderability.
- ◆ Excellent terminal strength construction.
- ◆ Surface mount inductor with high current rating.

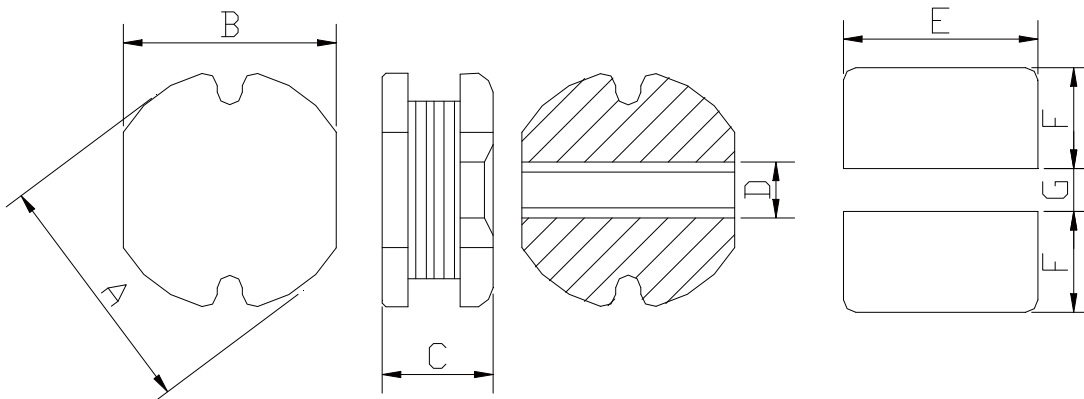
APPLICATIONS

- ◆ Ideally used in Digital camera, notebook, PC, LCD TV set, DC-DC Converters, etc.

▶ Lettering direction



SHAPES AND DIMENSIONS



Series	Dimensions(mm)						
	A	B	C	D	E Ref.	F Ref.	G Ref.
SRCD.3516	3.5±0.3	3.0±0.3	1.6±0.3	1.0	3.2	1.3	1.0
SRCD.3521	3.5±0.3	3.0±0.3	2.1±0.3	1.0	3.2	1.3	1.0
SRCD.4521	4.5±0.3	4.0±0.3	2.1±0.3	1.2	4.5	1.8	1.5
SRCD.4532	4.5±0.3	4.0±0.3	3.2±0.3	1.2	4.5	1.8	1.5
SRCD.5830	5.8±0.3	5.2±0.3	3.0±0.3	1.3	5.5	2.2	1.7
SRCD.5845	5.8±0.3	5.2±0.3	4.5±0.3	1.3	5.5	2.2	1.7
SRCD.7835	7.8±0.3	7.0±0.3	3.5±0.3	2.1	7.5	3.0	2.0
SRCD.7850	7.8±0.3	7.0±0.3	5.0±0.3	2.1	7.5	3.0	2.0
SRCD.1054	10.0±0.3	9.0±0.3	5.4±0.3	2.1	9.5	3.75	2.5

ELECTRICAL CHARACTERISTICS

Part Number	L (μ H)	Test Freq. (KHz/V)	DCR Max. (Ω)	IDC Max. (A)
SRCD.3516.DYF1R0MT00	1.0	100/0.25	0.049	1.20
SRCD.3516.DYF1R8MT00	1.8	100/0.25	0.068	1.10
SRCD.3516.DYF2R2MT00	2.2	100/0.25	0.089	0.98
SRCD.3516.DYF2R7MT00	2.7	100/0.25	0.091	0.96
SRCD.3516.DYF3R3MT00	3.3	100/0.25	0.120	0.95
SRCD.3516.DYF4R7MT00	4.7	100/0.25	0.163	0.90
SRCD.3516.DYF5R6MT00	5.6	100/0.25	0.182	0.85
SRCD.3516.DYF6R8MT00	6.8	100/0.25	0.234	0.81
SRCD.3516.DYF8R2MT00	8.2	100/0.25	0.260	0.71
SRCD.3516.DYF100KT00	10	100/0.25	0.357	0.61
SRCD.3516.DYF120KT00	12	100/0.25	0.377	0.58
SRCD.3516.DYF150KT00	15	100/0.25	0.442	0.53
SRCD.3516.DYF180KT00	18	100/0.25	0.520	0.48
SRCD.3516.DYF220KT00	22	100/0.25	0.637	0.43
SRCD.3516.DYF270KT00	27	100/0.25	0.767	0.41
SRCD.3516.DYF330KT00	33	100/0.25	1.01	0.37
SRCD.3516.DYF390KT00	39	100/0.25	1.11	0.34
SRCD.3516.DYF470KT00	47	100/0.25	1.68	0.30
SRCD.3516.DYF820KT00	82	100/0.25	2.66	0.25
SRCD.3516.DYF101KT00	100	100/0.25	3.15	0.20
SRCD.3516.DYF151KT00	150	100/0.25	4.29	0.17

Note:

Tolerance: N:±30% , M:±20% , K:±10%

IDC:DC current at which the inductance drops approximate 10% from its value without current;